

# 熟食柜 COOKED FOOD CABINET

## 产品特点 Product features

- 全视窗加厚钢化玻璃
- 可换子弹脚或脚轮
- 材质采用不锈钢
- 风冷制冷系统
- 高密度发泡箱体
- 欧洲品牌温控器
- 欧洲品牌压缩机
- 内箱采用边角圆弧设计，易于清洁
- 带磁性门封条的自动回归门
- LED灯光照明
- Full window thickened tempered glass
- Adjustable feet and castor is available
- Stainless steel structure
- Ventilated cooling system
- High density insulation body
- Europe brand digital controller
- Europe brand compressor
- Interior body with round corner, easy to clean
- Self-closing door with magnetic gaskets
- LED lighting

## 产品细节 Product details



1. 欧洲品牌温控器
  2. 材质采用不锈钢
  3. 全视窗加厚钢化玻璃
1. Europe brand controller
  2. Stainless steel structure
  3. Full window thickened tempered glass

## 产品参数 Product parameters

型号 Model	GF-1-1000	GF-1-1500	GF-1-2000
产品尺寸 Product size (mm)	1000 × 850 × 1440	1500 × 850 × 1440	2000 × 850 × 1440
冷媒类型 Refrigerant	R290	R290	R290
温度范围 Temperature (°C)	-	-	-
净重 Net weight (Kg)	-	-	-
容积 Net capacity (L)	-	-	-
额定功率 Rated power (W)	-	-	-
制冷类型 Refrigeration type	Ventilated 风冷	Ventilated 风冷	Ventilated 风冷

## 产品认证 Product certification



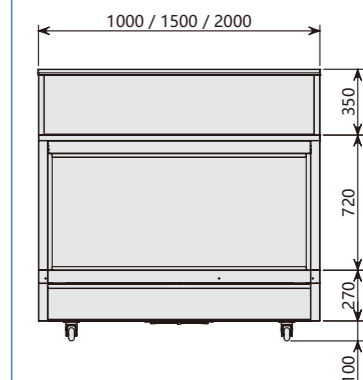
\* 我司有权利更改产品设计和配置，不会提前告知客户！ We have the right to change the product design and configuration without informing customers in advance!



- 超大空间 Super large space
- 环保发泡层 Environmental protection foaming layer
- LED灯光照明 LED lighting
- 不锈钢面板 Stainless steel panel
- 高效制冷 Efficient refrigeration
- 品牌压缩机 Brand compressor

平面图  
Plan View

正视图 Front View



侧视图 Side View

